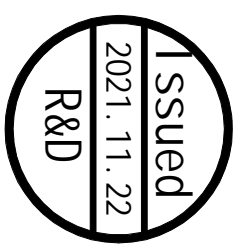
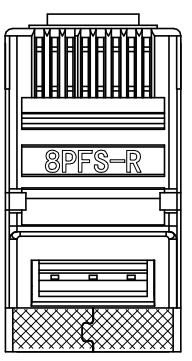
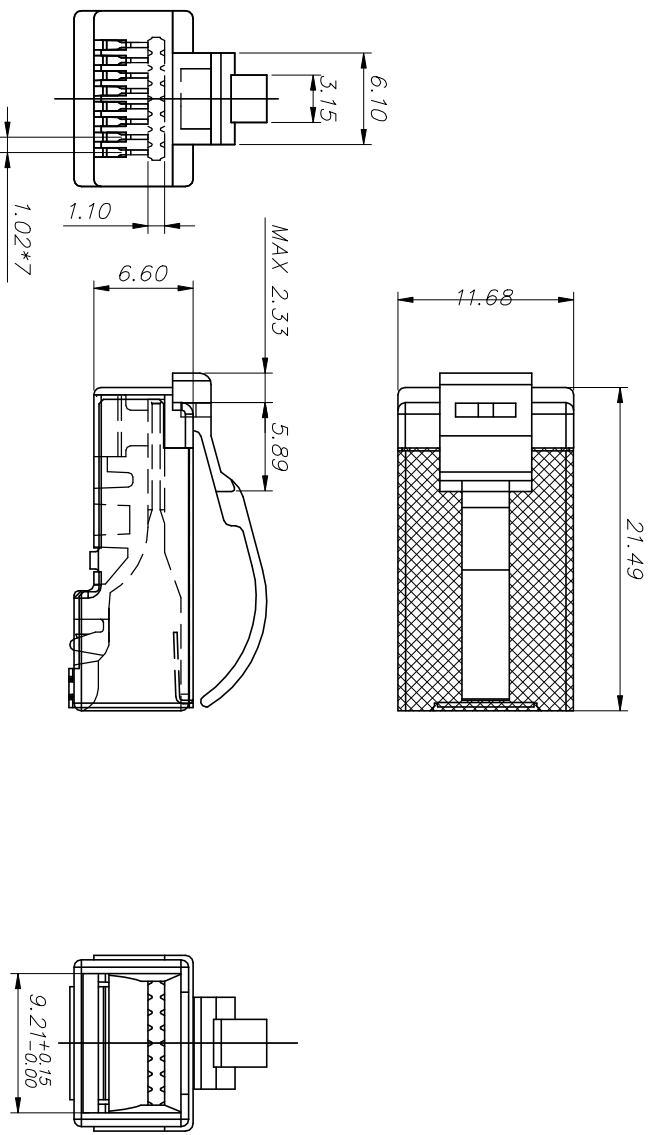


REV	DATE	MODIFICATION	DRAWN
A	2018/10/11		

**SPECIFICATIONS**

- ELECTRICAL:**  
UL APPLICATIONS: 250 VOLTS AC MAX. AT 2 AMPS.  
DIELECTRIC WITHSTANDING VOLTAGE : 1000 VOLTS AC. 60 SEC.  
INSULATION RESISTANCE: 500 MΩ.  
CONTACT RESISTANCE: 20mΩ MAX.  
OPERATING AMBIENT TEMPERATURE: -40°C ~ 70°C.
- MECHANICAL:**  
STRAIN RELIEF: 20POUND MIN.  
DURABILITY: 1200 MATING CYCLES.
- MATERIAL:**  
HOUSING: POLYCARBONATE, UL94V-0 OR UL94V-2.  
COLOR: TRANSPARENT OR OTHER COLOR ARE AVAILABLE.  
CONTACT BLADE: COPPER ALLOY.  
GOLD PLATING: 3μ"-50μ" ARE AVAILABLE.  
SHIELDED SHELL: COPPER NICKEL ALLOY.
- USAGE:**  
SUITABLE FOR STRANDED & SOLID WIRE 23AWG ~ 26 AWG.  
(It can be used for the wire OD from Ø 0.96 ~ Ø1.02)



BLADE:	E	EB	Y	YB	Z	A	AE	AB
Drawing								
Mark					✓			

GOLD PLATING	3MU"	3U"	6U"	15U"	30U"	50U"	CABLE TYPE	ROUND	FLAT
Mark						✓	Mark	✓	



NINGBO EXCELLENCE COMMUNICATED CONNECTOR CO.,LTD

DIMENSION IN mm (Inch)		MATERIAL	DWG NO.
TOLERANCE UNLESS OTHERWISE SPECIFIED		PC	PLUG-466-0001
.X±0.20	.X±.5°		
.XX±0.10	.XX±.2°		
TITLE		P88FZ50V2S-R	

APPROVAL	CHECKED	DRAWN	SCALE	SHEET
		Zach	2/1	1/1
			PROL.	REV
				A

ST-DR-009A